

Typhoon 25

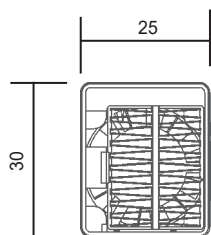
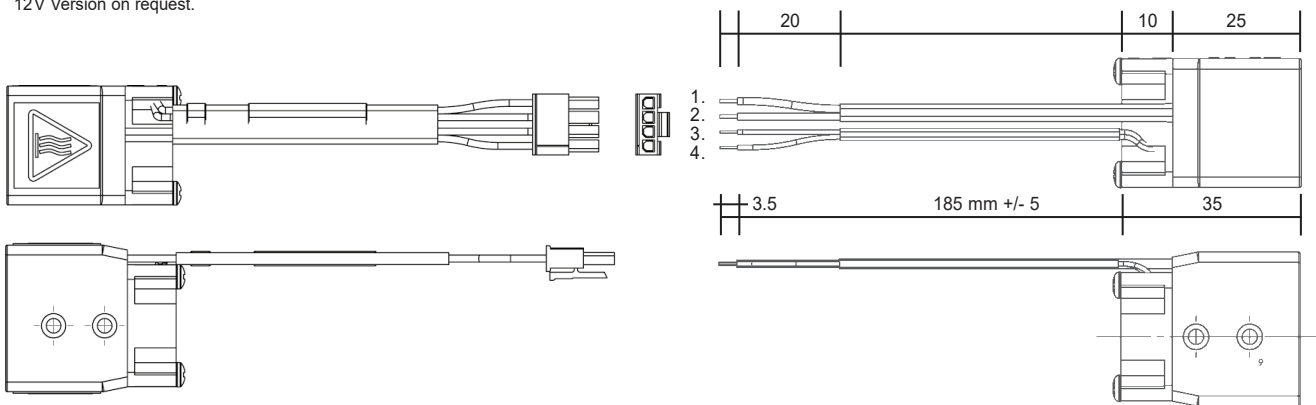
Features

- High power in ultra compact design
- Ultra Lightweight
- High temperature plastic construction
- M3 x 0,5 screw inserts for mounting
- Special fan types available upon request
- Separate connection for element and fan
- Complies RoHS (EU Directive 2002/95/EC)



Type	Typhoon 25 10 W	Typhoon 25 20 W	Typhoon 25 40 W	Typhoon 25 60 W	Typhoon 25 80 W	Typhoon 25 100 W	Typhoon 25 Heaterless
Nominal Power Output at 10°C							
Typical Peak In-rush Current at 24 VAC (Arms)	1,2	2,6	5,5	7,5	10	12,5	without heater
Nominal Input Voltage Heating Element (V)	24	24	24	24	24	24	24 VDC
Nominal Input Voltage Fan (V)	12/24 VDC	12/24 VDC	12/24 VDC	12/24 VDC	12/24 VDC	12/24 VDC	24 VDC
Max. Body Temperature 25°C Ambient (°C)	40	50	90	TBD	TBD	TBD	
Operating Temperature Range (°C)	-10°C to +50°C	-10°C to +50°C	-10°C to +50°C	-10°C to +50°C	-10°C to +50°C	-10°C to +50°C	-10°C to +50°C
Storage Temperature Range (°C)	-40°C to +70°C	-40°C to +70°C	-40°C to +70°C	-40°C to +70°C	-40°C to +70°C	-40°C to +70°C	-40°C to +70°C
Fan Lifetime (MTTF at 45°C) (h)	70.000	70.000	70.000	70.000	70.000	70.000	
Fan Volumetric Flow (at 12 VDC) (m³/h)	3,26	3,26	3,26	3,26	3,26	3,26	
Weight (g)	30	30	30	30	30	30	
Dimensions	Cross Section (mm)	25 x 30	25 x 30	25 x 30	25 x 30	25 x 30	25 x 30
	Length (mm)	37	37	37	37	37	37
Harness Length (mm)	185	185	185	185	185	185	
Electrical Protection Class	SK III / SELV	SK III / SELV	SK III / SELV	SK III / SELV	SK III / SELV	SK III / SELV	SK III / SELV
Recommended fuse (time delay) (A)	2	3,15	4	6,3	8	10	
Connection	Molex 43645-0400, Terminal (Female) 43030 series						

Note: All data are for unit operated in vertical orientation, with T&T fan as standard.
12V Version on request.



Lead Wire Inputs

- | | |
|-----------------|-------|
| 1. Heater, 24 V | Blue |
| 2. Heater, 24 V | Blue |
| 3. Fan, Ground | Black |
| 4. Fan, 24 VDC | Red |

DBK's knowledge of thermal management gives us the experience to guide and support you with your technical challenges - we can manage the complete project from concept to full production release.



DBK 231012. This information is subject to change without notice. Data is given for illustration purposes only and does not release the customer from independent application tests.