

ASIA ITALY

CURRENT TRANSFORMERS

ORDERING INFORMATION

1. When ordering please specify:

A) Ratio: 1/5A to 10000/5A 1/1A to 5000/1A

B) Class: 3, 1, 0.5, 0.2, 0.2S, 5P, 10P, X.

C) Burden: 1, 1.5, 2.5, 5, 10, 15, 20. ETC.

(ALF)

E) Type: MR, PR, MSQ, etc.

2. For special sizes, VA, Class & Burden provide additional informations like:-

a) Internal Diameter required in mm.

B) External Diameter if there are limitations.

C) Secondary Current if other than 5A

SELECTION GUIDE:

The design of protective systems, of which the current transformers are a vital part, can be a complex one, and we offer here a guide only to those simpler schemes which occur frequently. Our suggested ratings for these applications should be treated with caution as they may be subject to variation due to relay characteristics or to other components of the scheme.

RELAY MANUFACTURER'S RECOMMENDATION SHOULD ALWAYS BE FOLLOWED

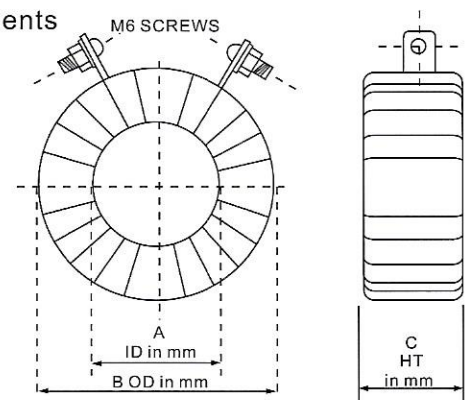
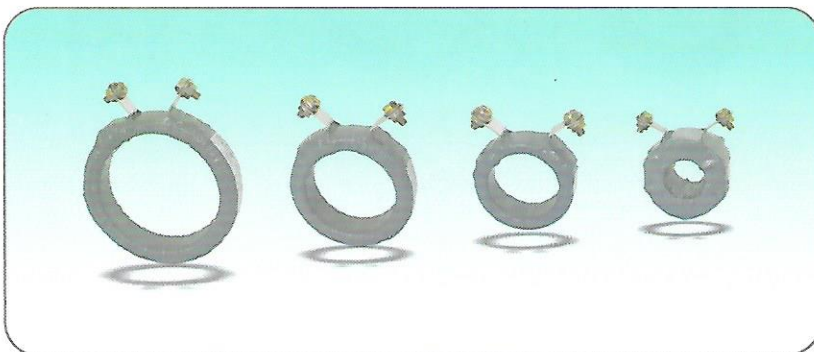
GENERAL TYPE OF RELAY	PROTECTIVE SYSTEM	TYPICAL C.T. REQUIREMENT		
		VA (Add Lead Burden if $I_1 > 1.5$)	Class	Accuracy Limit Factor
Magnetic trips	overcurrent	25	10P	5
Magnetic O/L with dashpot	Motor Overcurrent with time delay	5	10P	5-10
Some low consumption thermal types	Motor Overcurrent with time delay	2.5	10P	10 to 15
Thermal	Motor Overcurrent with time delay	7.5	10P	10 to 15
Inverse definite min. time relays (I.D.M.T)	Overcurrent	15	10P	10 to 15
I.D.M.T. Earth fault relays	Unrestricted earth fault with approx. Time grading	15	10P	10
I.D.M.T. Earth fault relays	Unrestricted earth fault where phase fault stability or accurate time grading required.	15	10P	10

STANDARD PRODUCT: (TAPE RING TYPE)

The following are our PVC Taped Ring insulation class CT. For any orders different from the following are classified as special, PLEASE consult our distributors/sales engineer.

...Excellent flexibility in terms of dimensional and performance requirements

...Option for Busbar or Foot mounting



GENERAL VIEW OF THE PR & MR SERIES CT